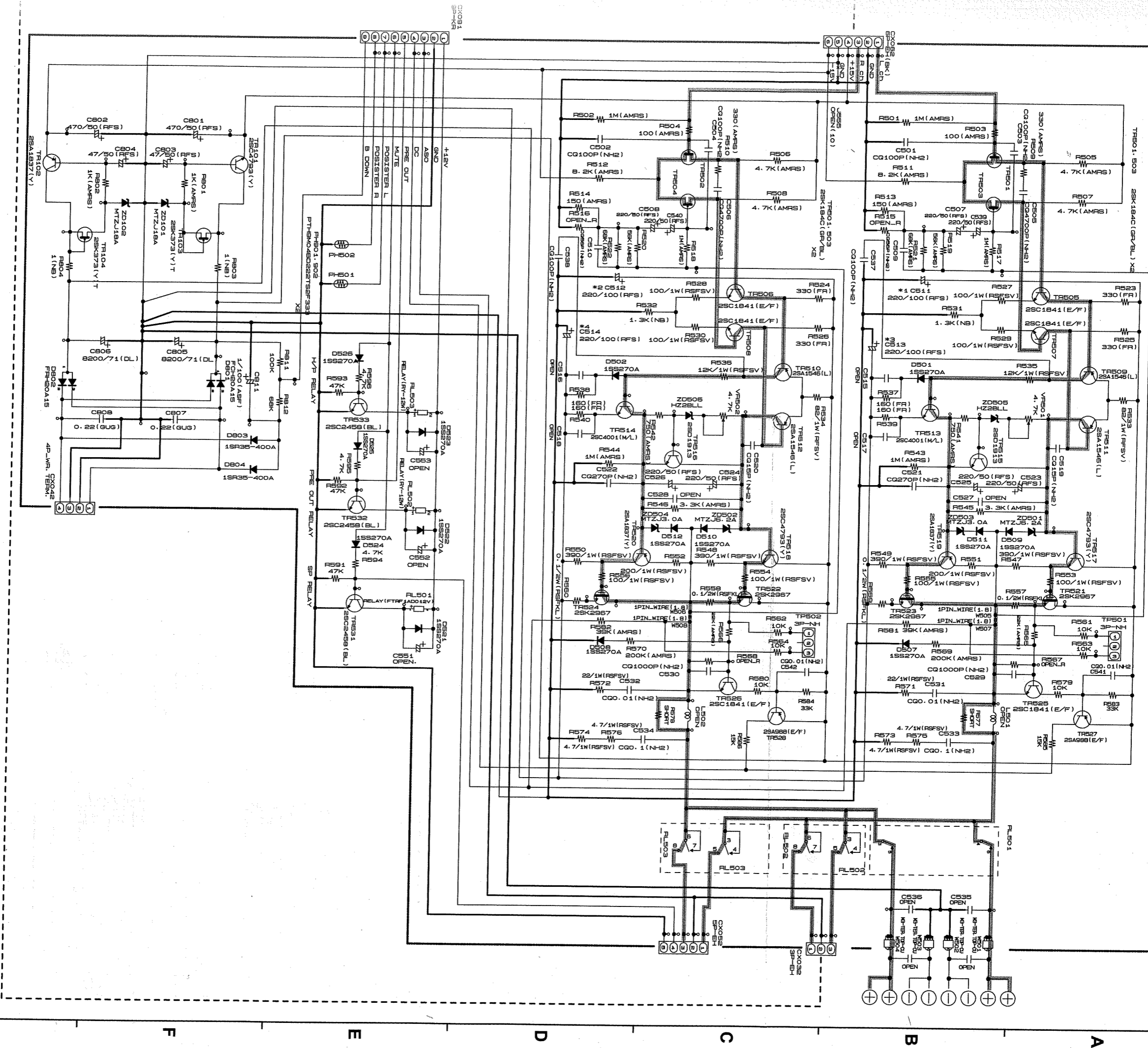


1U-3715-1 POWER AMP UNIT



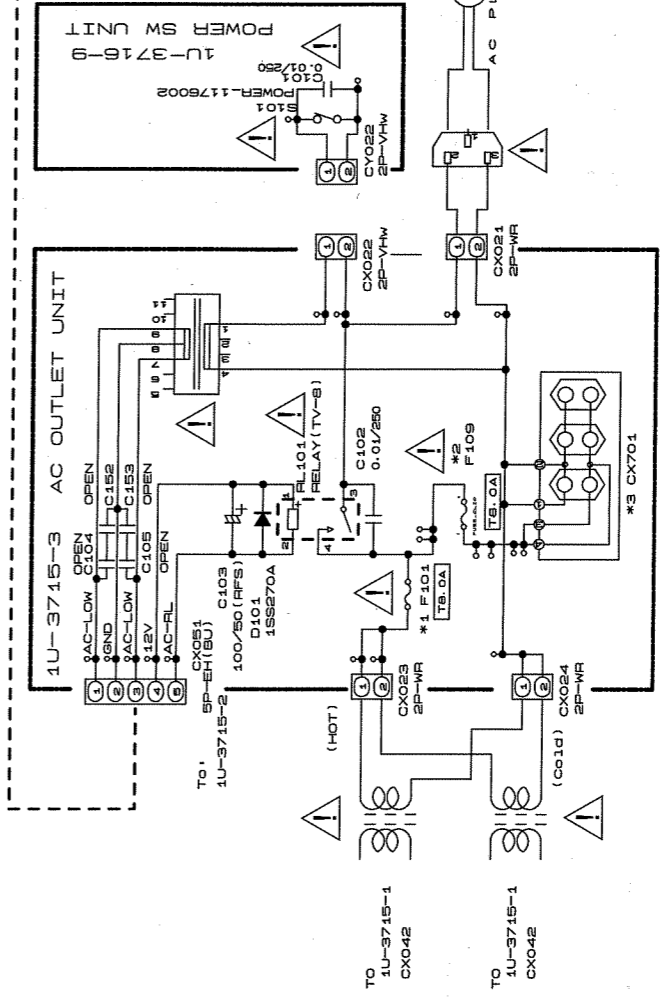
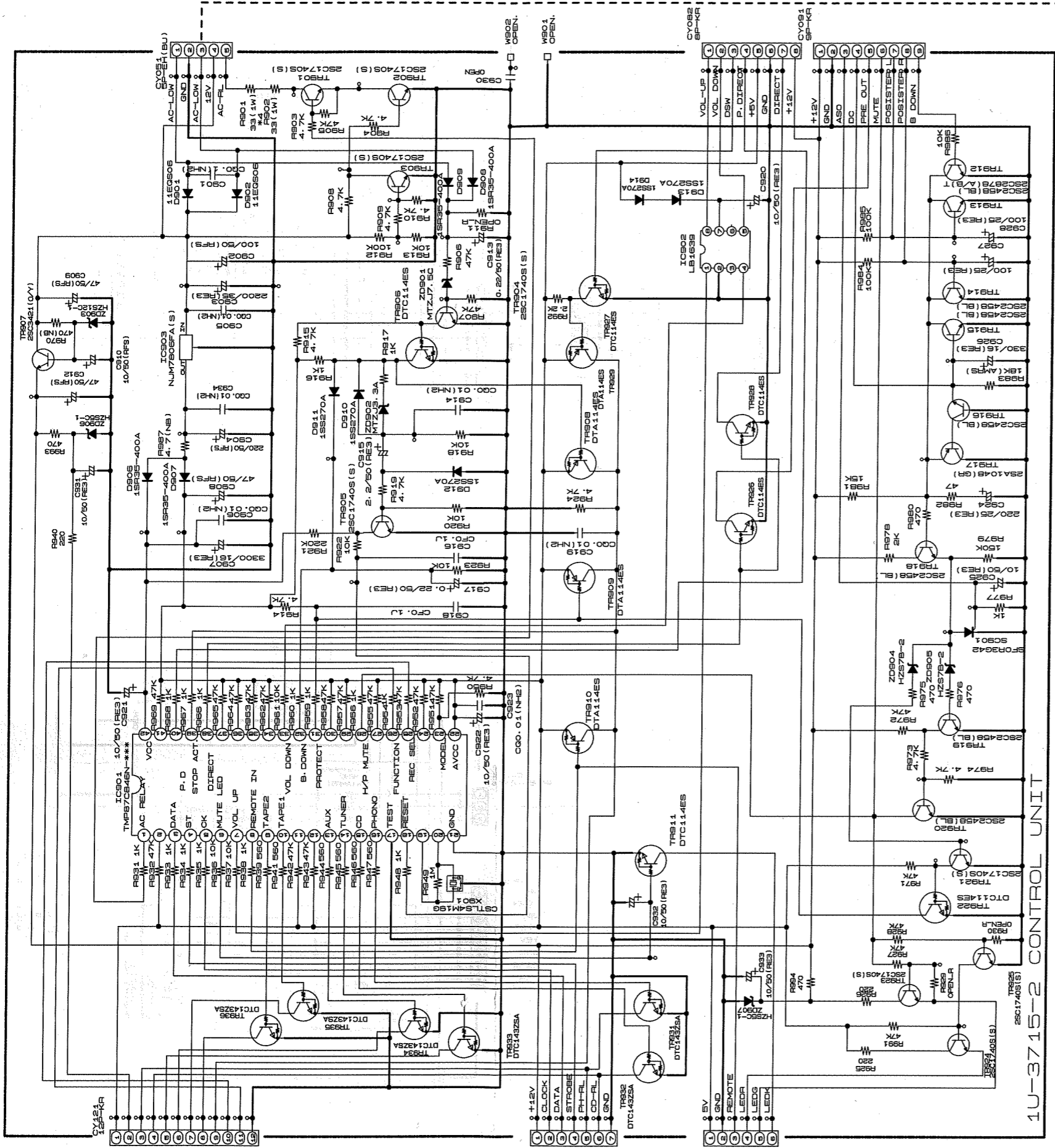
*1-*4	C511-514	*5	C345
JAPAN	100/100V (RFS)	CF 1/50V (GSG)	
E2	100/100V (RFS)	CF 1/50V (GSG)	
E1C	220/100V (ROB)	CF 1/33V (SAG)	

SIGNAL LINE

SCHEMATIC DIAGRAMS (2/2)

1U-3715 POWER AMP UNIT

1U-3716 INPUT UNIT



*1 F101	*2 F109	*3 CX701	*4 RB02
JAPAN E2	TBA	3P OUTLET	33/1W
E1C	T3. 15AL	OPEN	33/1W
	T3. 15AL	OPEN	SHORT

SIGNAL LINE

SCHEMATIC DIAGRAMS (1/2)
1U-3715 POWER AMP UNIT
1U-3716 INPUT UNIT

A

B

C

D

E

F

G

H

SCHEMATIC DIAGRAMS (1/2)

1

2

3

4

5

6

